



Healthcare Products

HIGH-TECH PRECISION ENGINEERING

**PLASTER OF
PARIS SINK**





Plaster of Paris Sink

Plaster of Paris Sink

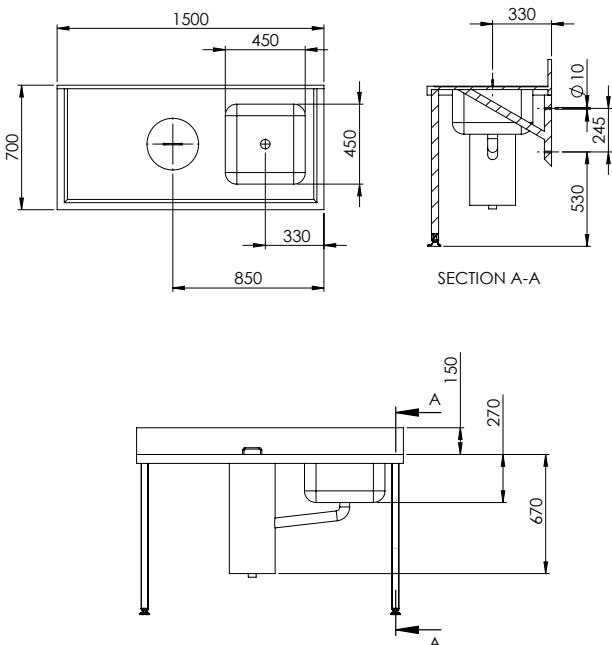
Standard Features

- Grade 304 (18/10) stainless steel
- Pressed bowl and discharge pipe from bowl to waste cylinder
- Removable waste cylinder bucket
- 150mm splashback

Specifications

Mac Care Code (please specify) Plaster of Paris sink, manufactured from Grade 304 (18/10) stainless steel. Unit fitted with pressed bowl and discharge pipe from bowl to waste cylinder. Waste cylinder bucket to be removable for cleaning purposes. Splashback 150mm. Underside of sink to be fitted with galvanised backing sheet for sound deadening . Unit to be fixed to floor and wall with stainless steel gallows brackets and front legs, 900mm high from finished floor to top of front apron and secured with anchor bolts (elsewhere measured) (4 x legs optional)

TECHNICAL DRAWINGS



Product Codes

Order Code	Model	Dimensions	Option
SMH0244	4 x Stainless steel legs	1500 x 700 x 900mm	Plaster Bucket RHS
SMH0245	4 x Stainless steel legs	1500 x 700 x 900mm	Plaster Bucket LHS
SMH0246	Stainless steel Gallows Bracket and leg	1500 x 700 x 900mm	Plaster Bucket RHS
SMH0247	Stainless steel Gallows Bracket and leg	1500 x 700 x 900mm	Plaster Bucket LHS